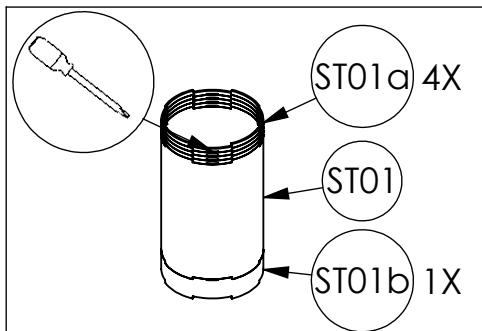
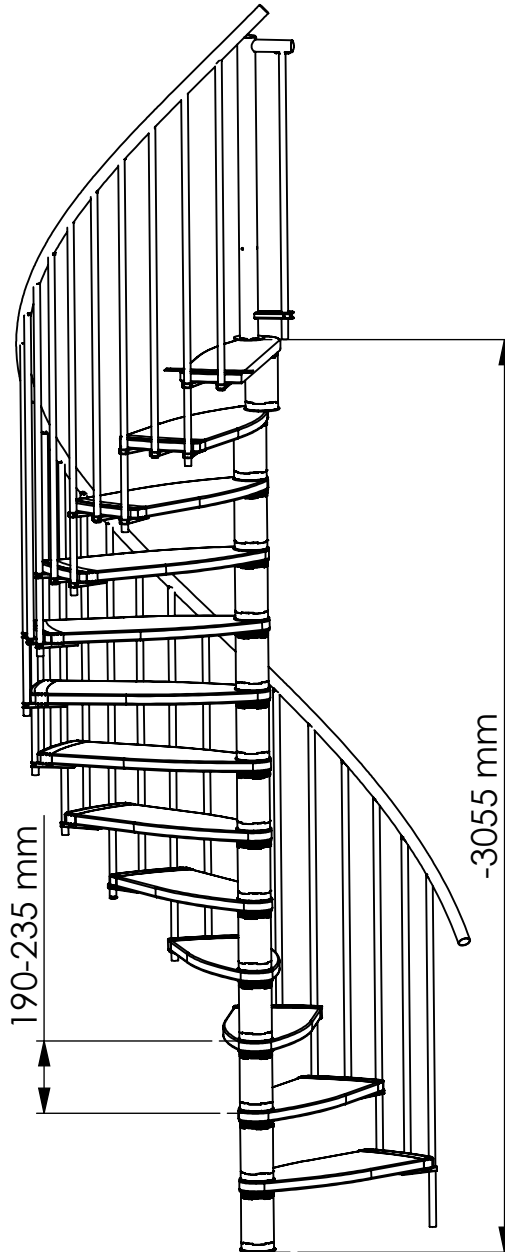
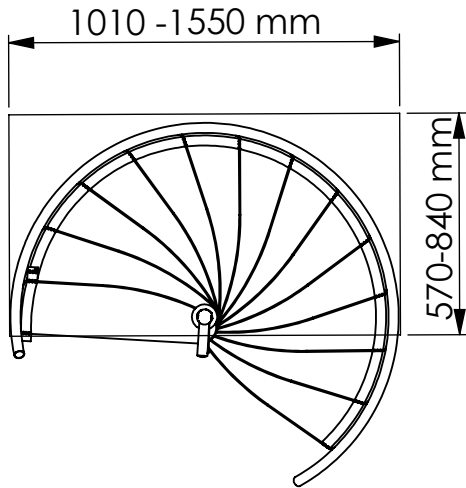


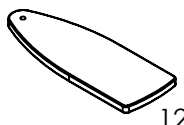
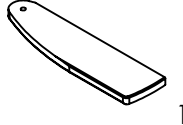
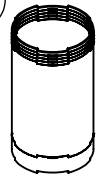
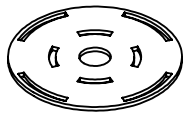

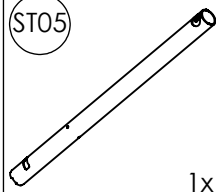
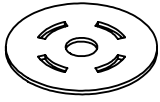
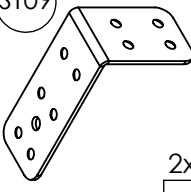
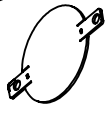
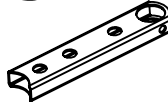
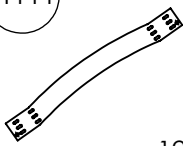
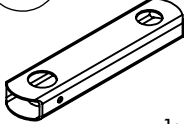
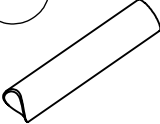
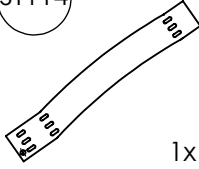
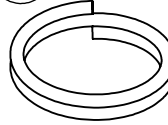
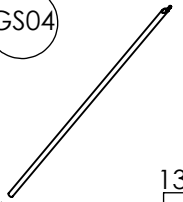
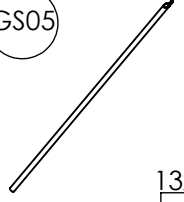
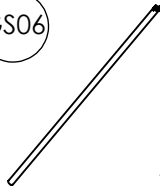
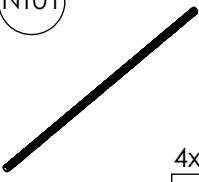
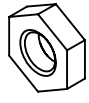


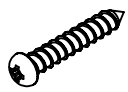


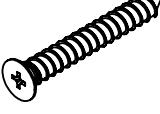


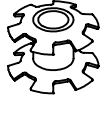


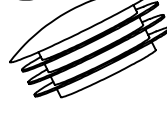
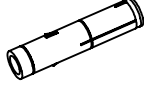
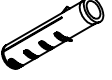
	9	10	11	12	13
H min	1710mm	1900mm	2090mm	2280mm	2470mm
H max	2115mm	2350mm	2585mm	2820mm	3055mm

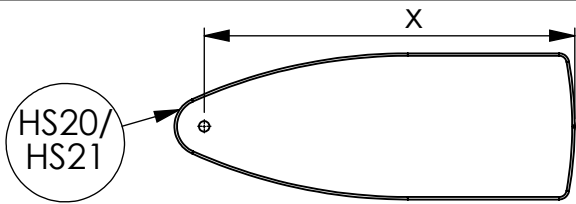


h	ST01a	ST01b
190 mm	0x	0x
195 mm	1x	0x
200 mm	2x	0x
205 mm	3x	0x
210 mm	4x	0x
215 mm	0x	1x
220 mm	1x	1x
225 mm	2x	1x
230 mm	3x	1x
235 mm	4x	1x



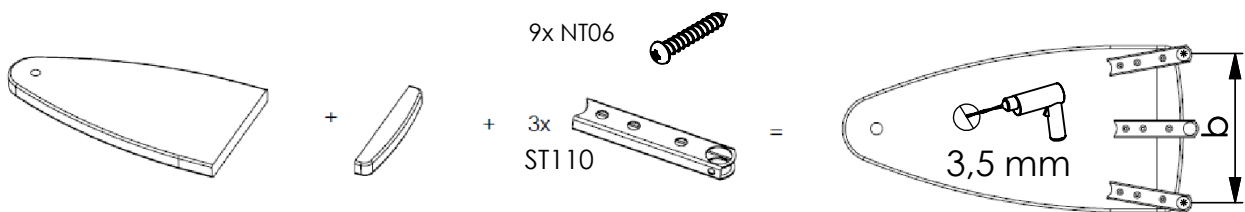
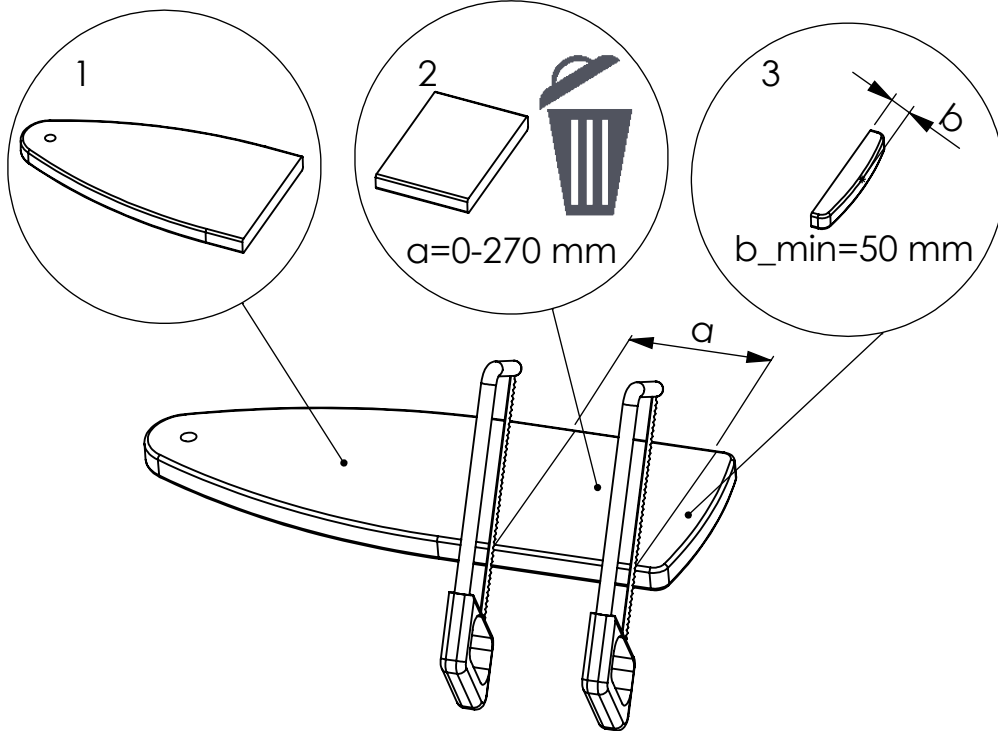
max. 200 kg

 <p>HS20 12x</p>	 <p>HS21 1x</p>	 <p>ST01 13x Ø 108x200 mm</p>	 <p>ST02 26x Ø 115 x 3 mm</p>	 <p>ST03 1x</p>	 <p>ST05 1x Ø 60 x 1000x4 mm</p>
 <p>ST06 1x Ø 100 x 3 mm</p>	 <p>ST09 2x</p>	 <p>ST12 1x Ø 60 mm</p>	 <p>ST110 38x</p>	 <p>ST111 12x</p>	 <p>ST112 1x</p>
 <p>ST113 1x Ø 40x2x180 mm</p>	 <p>ST114 1x</p>	<p>*</p>	 <p>G01 1x Ø 40x3x6000mm</p>	 <p>GS04 13x Ø 22x2x1275 mm</p>	 <p>GS05 13x Ø 22x1x1175 mm</p>
 <p>GS06 1x Ø 22x2x1030 mm</p>	 <p>NT01 4x M20 x 1000 mm</p>	 <p>NT02 13x M20 DIN-EN 24035</p>	 <p>NT04 4x M20 DIN 6334</p>	 <p>NT05 4x M8x50 mm</p>	 <p>NT06 139x Ø 5 x 30 mm</p>
 <p>NT07 43x Ø 4,2 x 19 mm</p>	 <p>NT08 8x Ø 6x30mm</p>	 <p>NT10 12x Ø 6x50mm</p>	 <p>NT11 32x Ø 4x25mm</p>	 <p>NT40 3x M8x25mm</p>	
 <p>NT48 2x M6</p>	 <p>NT49 2x M6</p>		 <p>KS01 37x Ø 22 mm</p>	 <p>KS02 3x Ø 40 mm</p>	 <p>D01 4x Ø 12 mm</p>
 <p>D02 14x Ø 8 mm</p>					

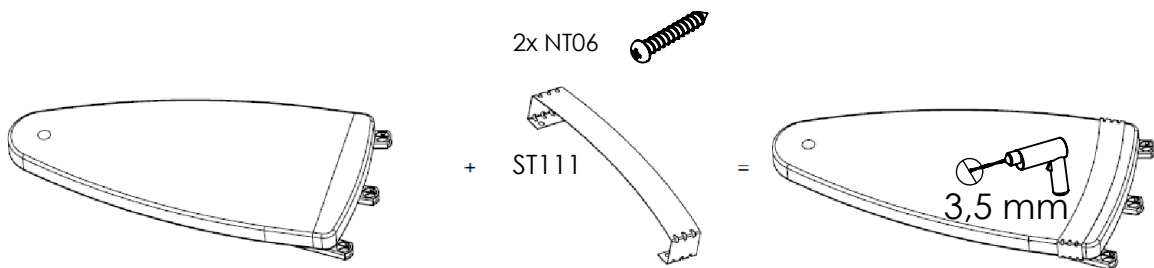


$x_{min} = 465 \text{ mm}$

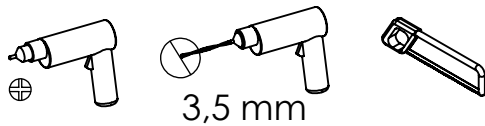
$x_{max} = 735 \text{ mm}$

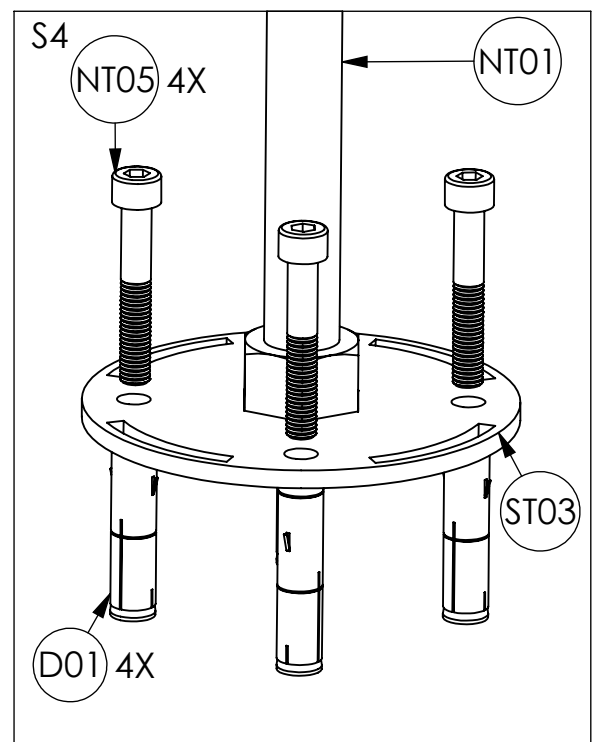
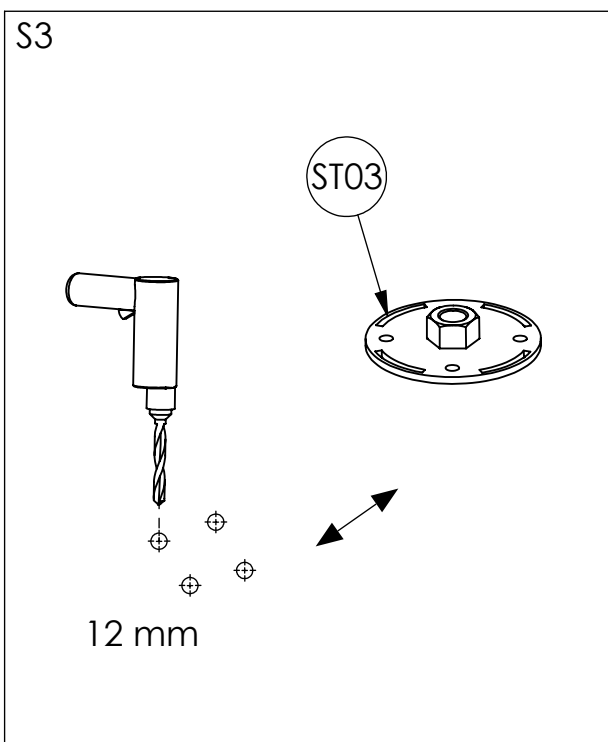
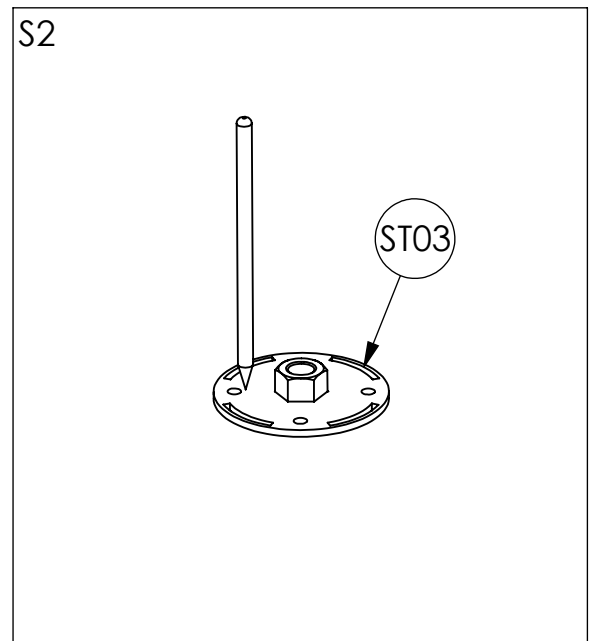
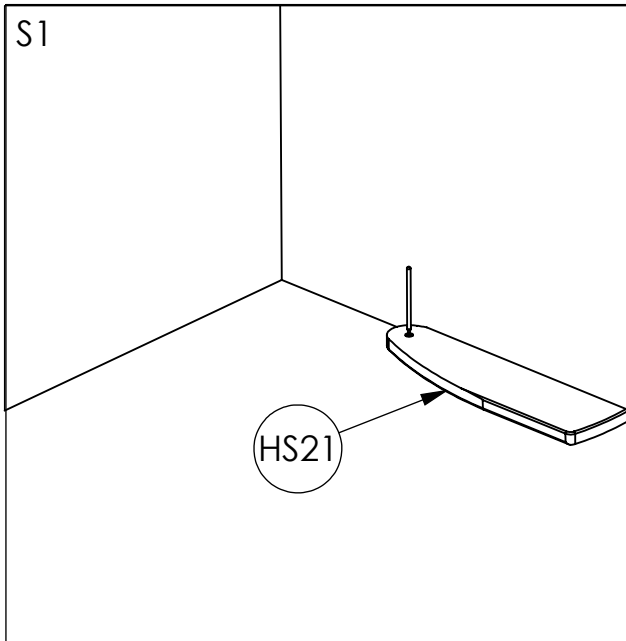


$$b = 230 \text{ mm} - a \times 0.33$$

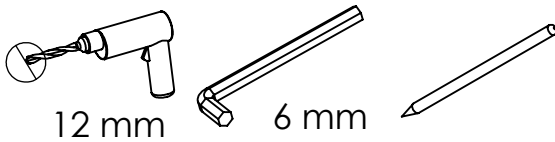


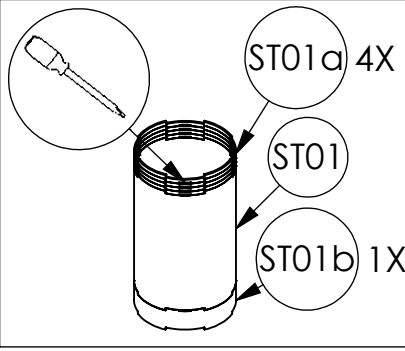
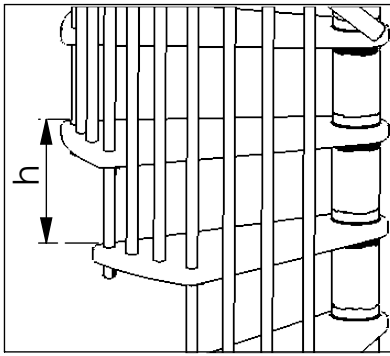
3



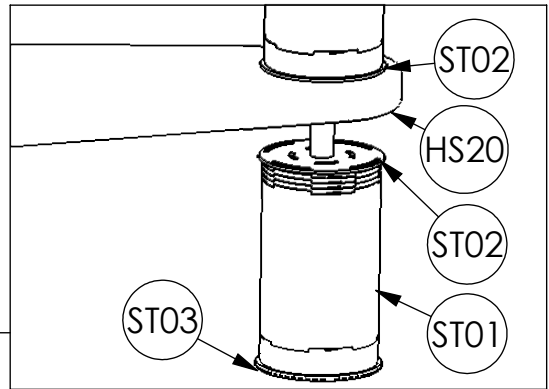
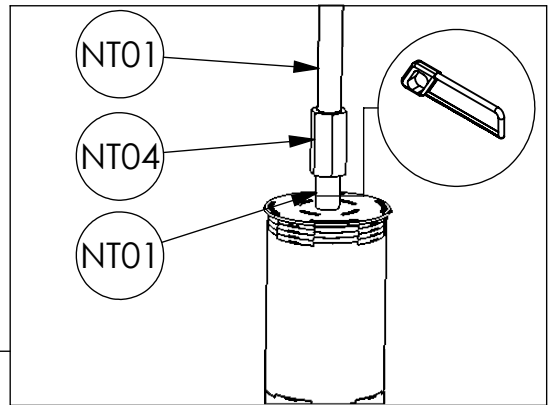
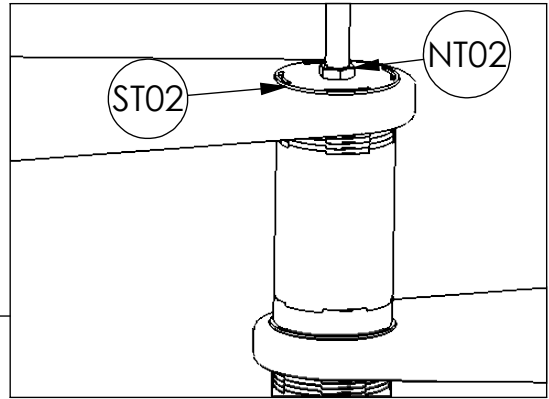
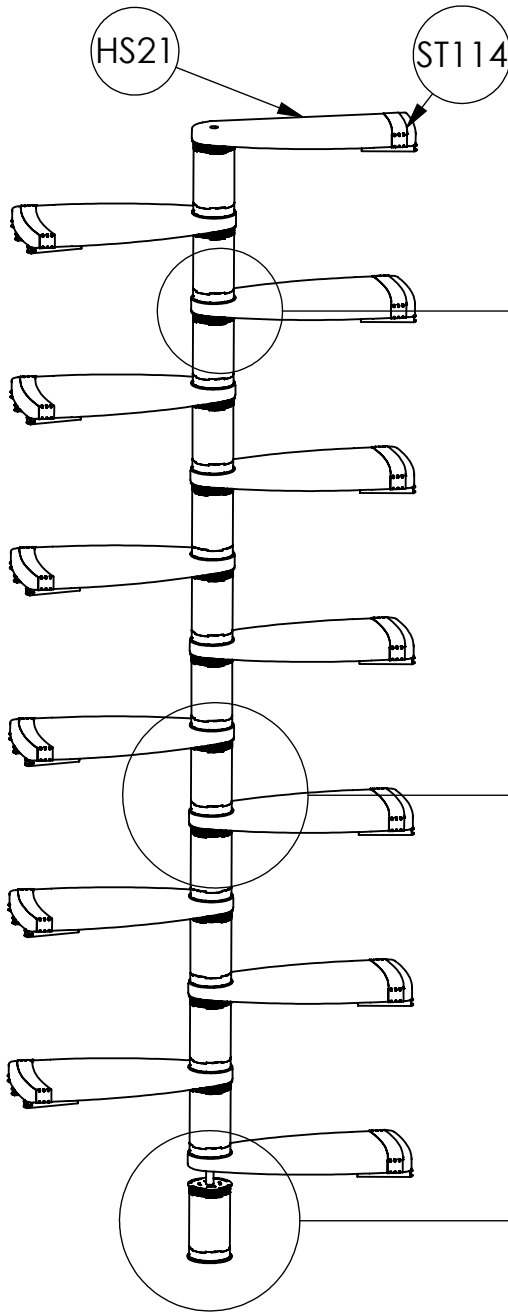


4

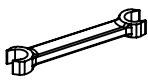




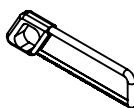
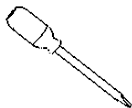
h	ST01a	ST01b
190 mm	0x	0x
195 mm	1x	0x
200 mm	2x	0x
205 mm	3x	0x
210 mm	4x	0x
215 mm	0x	1x
220 mm	1x	1x
225 mm	2x	1x
230 mm	3x	1x
235 mm	4x	1x

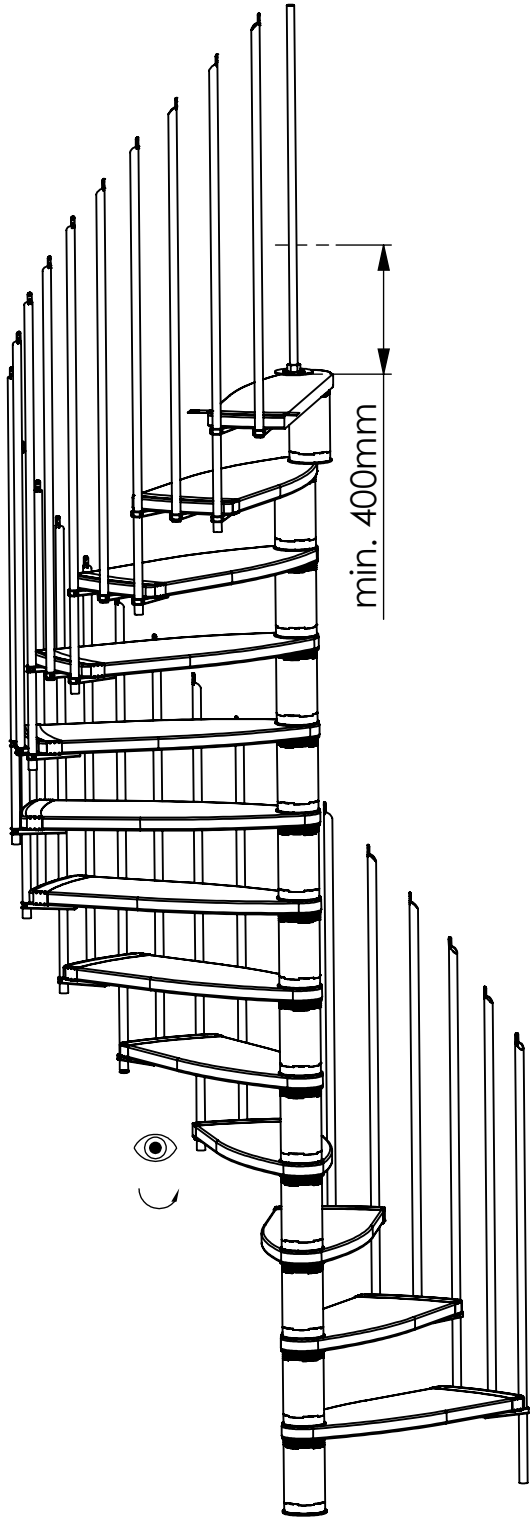
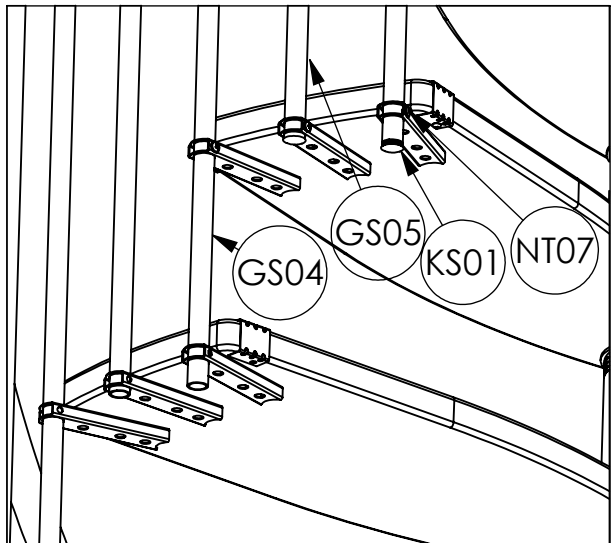
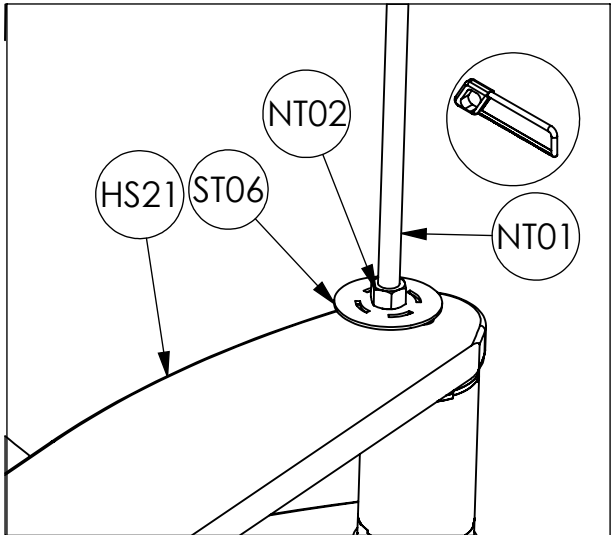
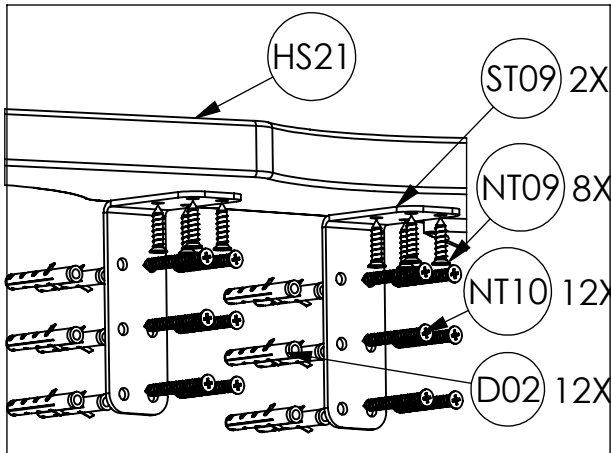


5



30 mm





6

