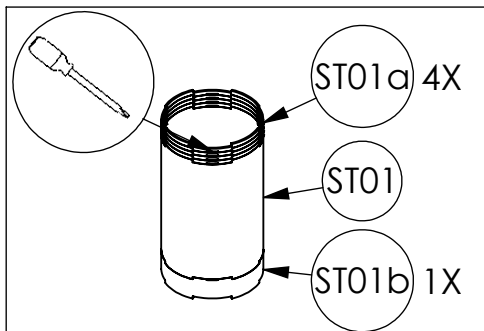
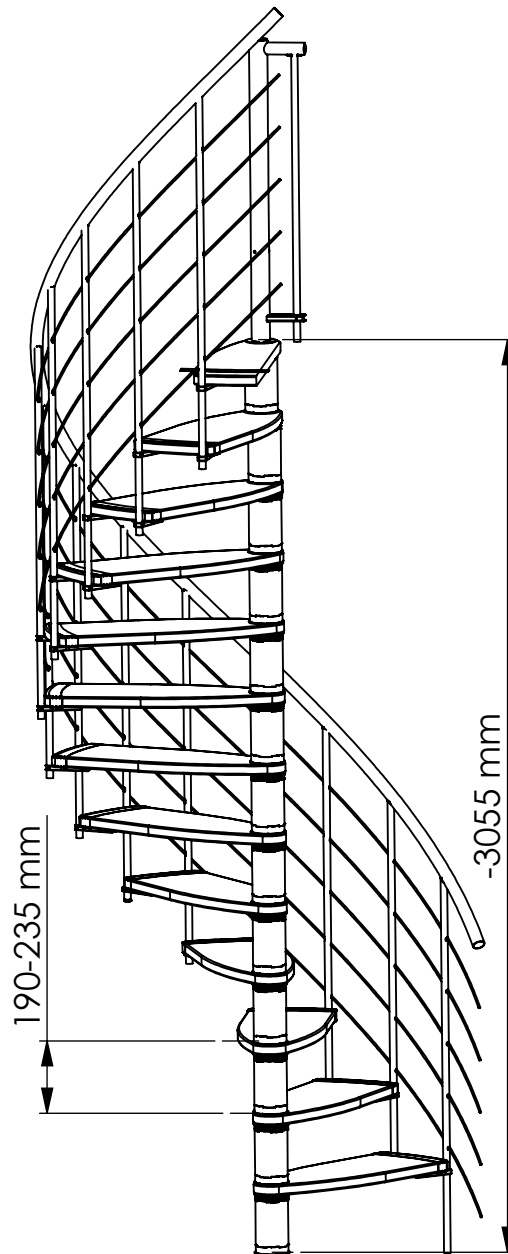
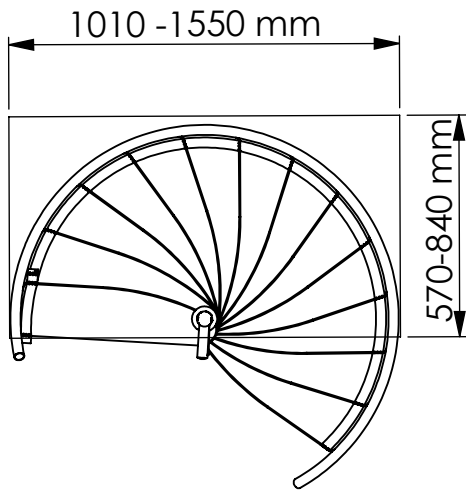


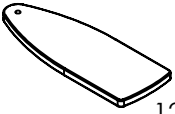
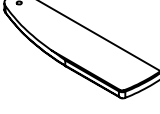
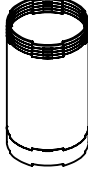
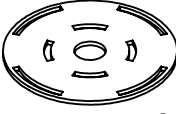

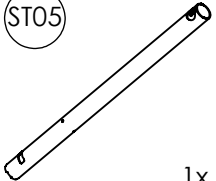

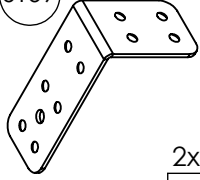
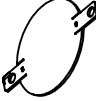
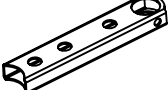
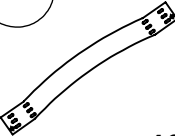
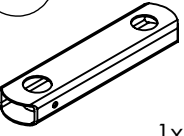
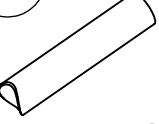
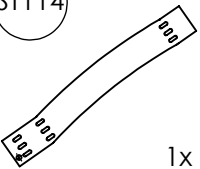
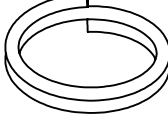
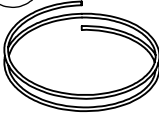
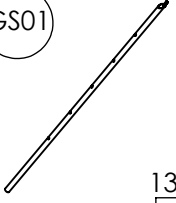
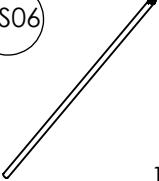
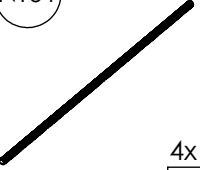
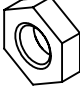
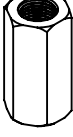




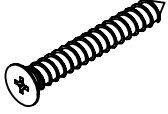






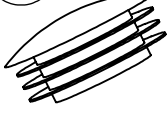


	9	10	11	12	13
H min	1710mm	1900mm	2090mm	2280mm	2470mm
H max	2115mm	2350mm	2585mm	2820mm	3055mm

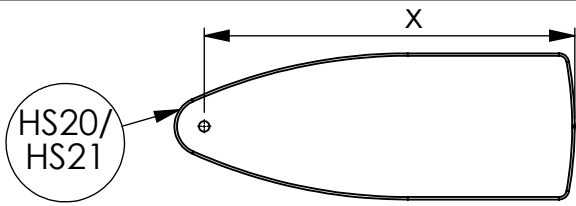


h	ST01a	ST01b
190 mm	0x	0x
195 mm	1x	0x
200 mm	2x	0x
205 mm	3x	0x
210 mm	4x	0x
215 mm	0x	1x
220 mm	1x	1x
225 mm	2x	1x
230 mm	3x	1x
235 mm	4x	1x



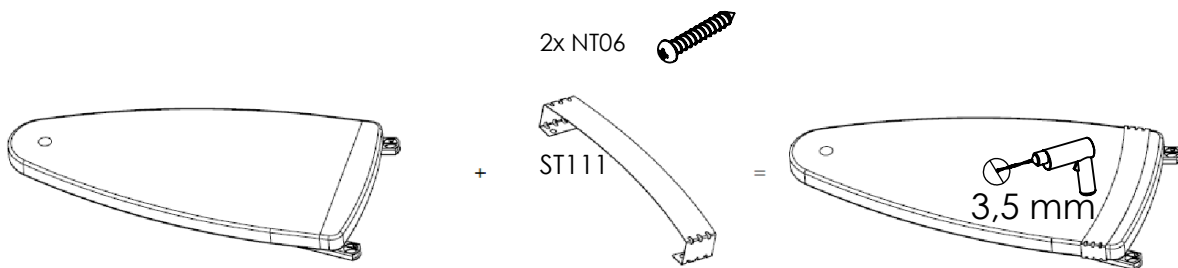
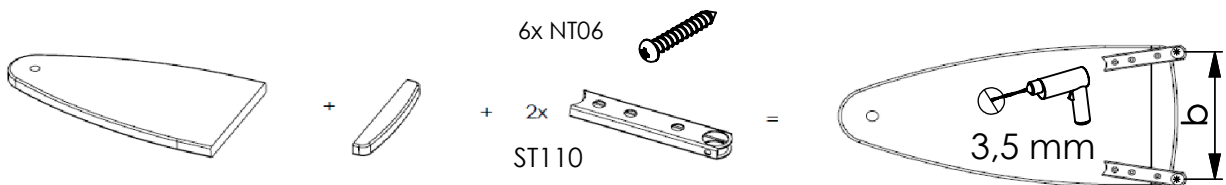
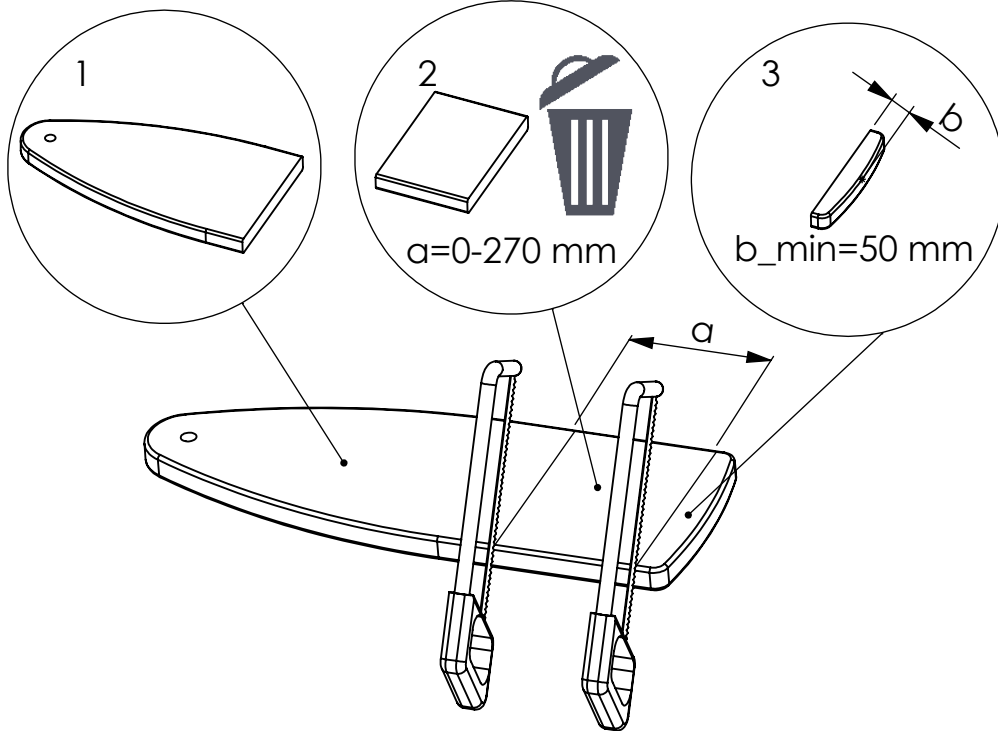
max. 200 kg

<p>HS20</p>  <p>12x</p>	<p>HS21</p>  <p>1x</p>	<p>ST01</p>  <p>13x</p> <p>Ø 108x200 mm</p>	<p>ST02</p>  <p>26x</p> <p>Ø 115 x 3 mm</p>	<p>ST03</p>  <p>1x</p>	<p>ST05</p>  <p>1x</p> <p>Ø 60 x 1000x4 mm</p>
<p>ST06</p>  <p>1x</p> <p>Ø 100 x 3 mm</p>	<p>ST09</p>  <p>2x</p>	<p>ST12</p>  <p>1x</p> <p>Ø 60 mm</p>	<p>ST110</p>  <p>25x</p>	<p>ST111</p>  <p>12x</p>	<p>ST112</p>  <p>1x</p>
<p>ST113</p>  <p>1x</p> <p>Ø 40x2x180 mm</p>	<p>ST114</p>  <p>1x</p>	<p>*</p>	<p>G01</p>  <p>1x</p> <p>Ø 40x3x6000mm</p>	<p>G07</p>  <p>5x</p> <p>Ø 6x1x6000mm</p>	<p>GS01</p>  <p>13x</p> <p>Ø 22x2x1275 mm</p>
<p>GS06</p>  <p>1x</p> <p>Ø 22x2x1030 mm</p>	<p>NT01</p>  <p>4x</p> <p>M20 x 1000 mm</p>	<p>NT02</p>  <p>13x</p> <p>M20 DIN-EN 24035</p>	<p>NT04</p>  <p>4x</p> <p>M20 DIN 6334</p>	<p>NT05</p>  <p>4x</p> <p>M8x50 mm</p>	<p>NT06</p>  <p>100x</p> <p>Ø 5 x 30 mm</p>
<p>NT07</p>  <p>30x</p> <p>Ø 4,2 x 19 mm</p>	 <p>8x</p> <p>Ø 6x30mm</p>	<p>NT10</p>  <p>12x</p> <p>Ø 6x50mm</p>	<p>NT11</p>  <p>32x</p> <p>Ø 4x25mm</p>	<p>NT40</p>  <p>3x</p> <p>M8x25mm</p>	
<p>NT48</p>  <p>2x</p> <p>M6</p>	<p>NT49</p>  <p>2x</p> <p>M6</p>	<p>KS05</p>  <p>10x</p> <p>Ø 6 x 12 mm</p>	<p>KS01</p>  <p>12x</p> <p>Ø 22 mm</p>	<p>KS02</p>  <p>3x</p> <p>Ø 40 mm</p>	<p>D01</p>  <p>4x</p> <p>Ø 12 mm</p>
<p>D02</p>  <p>14x</p> <p>Ø 8 mm</p>					

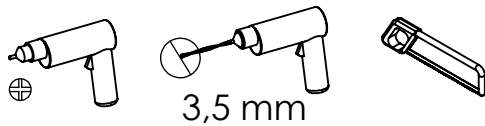


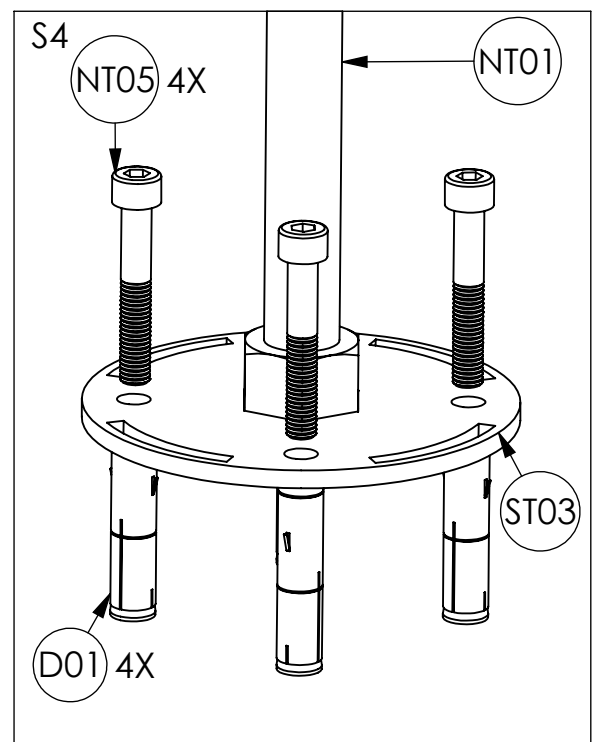
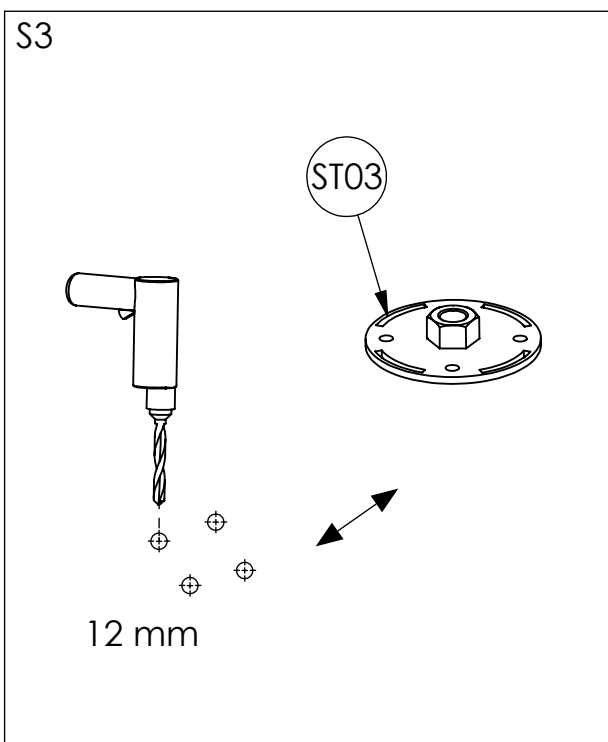
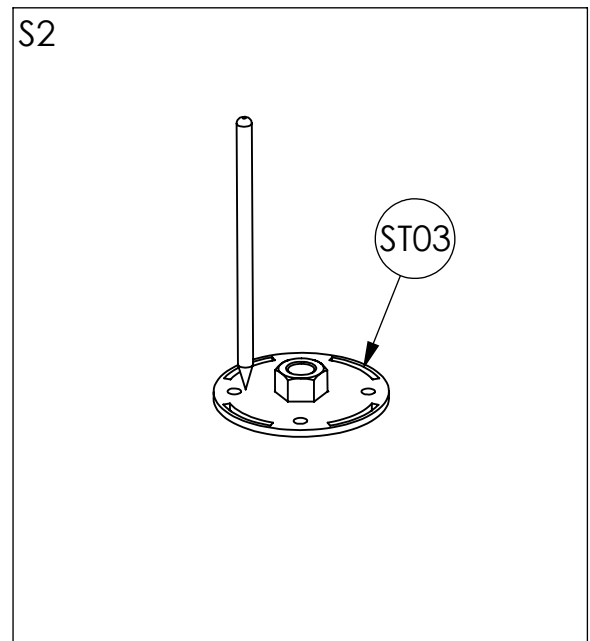
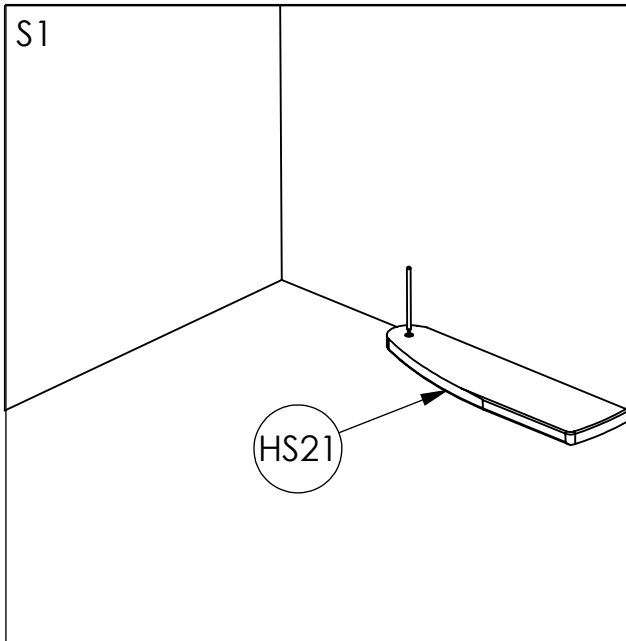
$x_{min} = 465 \text{ mm}$

$x_{max} = 735 \text{ mm}$

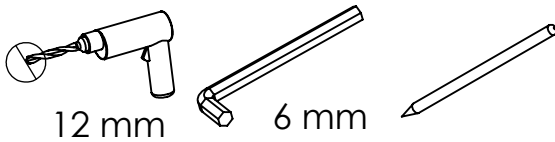


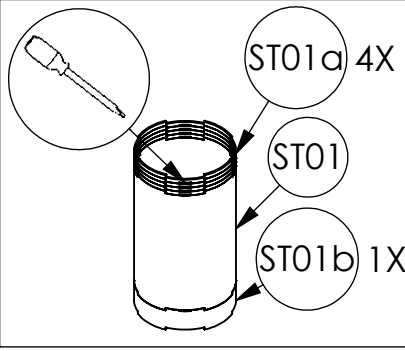
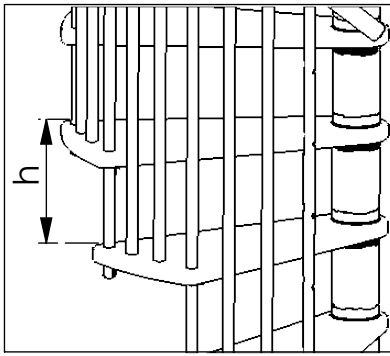
3



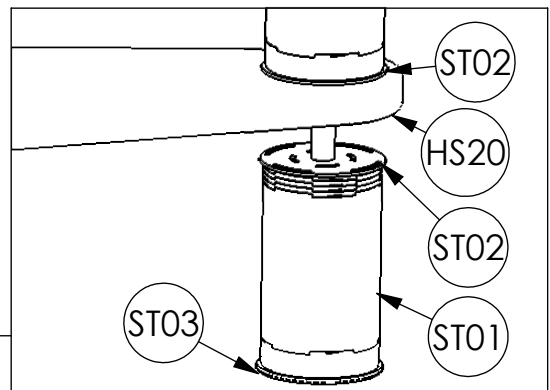
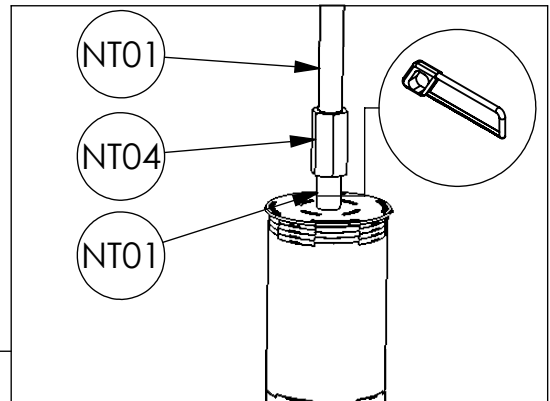
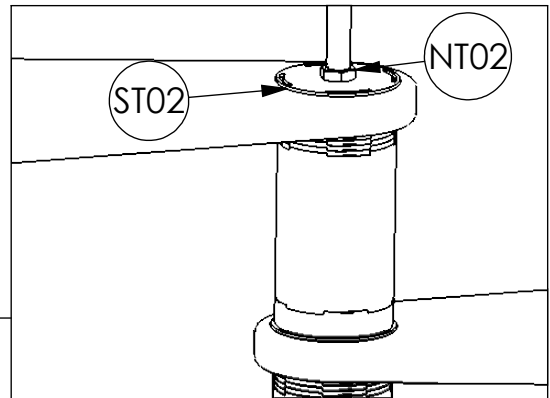
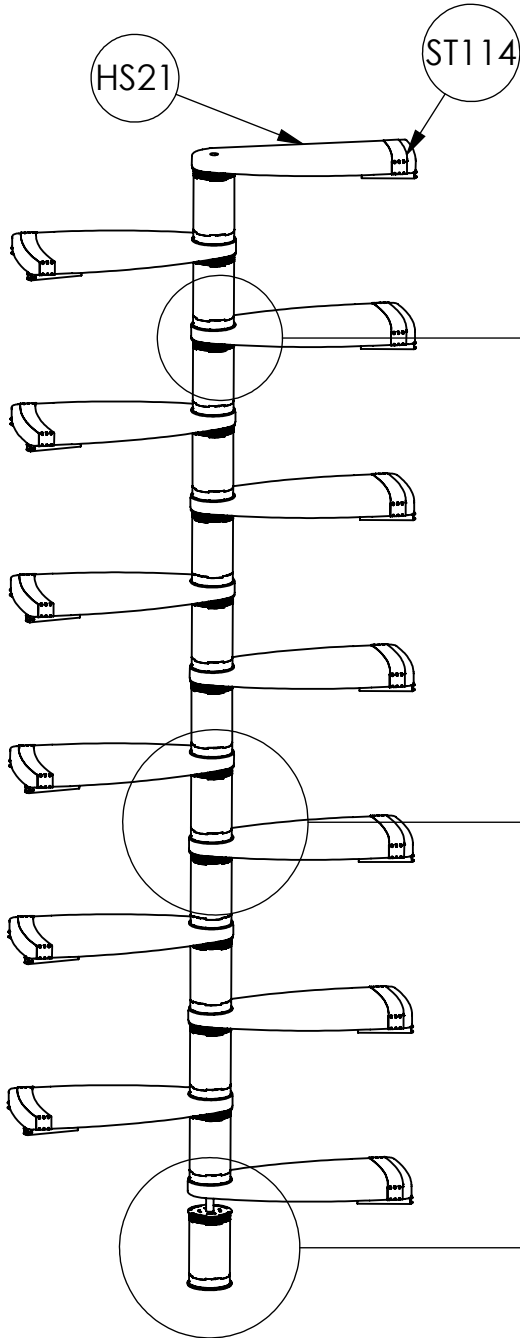


4

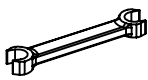




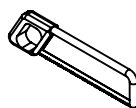
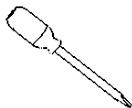
h	ST01a	ST01b
190 mm	0x	0x
195 mm	1x	0x
200 mm	2x	0x
205 mm	3x	0x
210 mm	4x	0x
215 mm	0x	1x
220 mm	1x	1x
225 mm	2x	1x
230 mm	3x	1x
235 mm	4x	1x

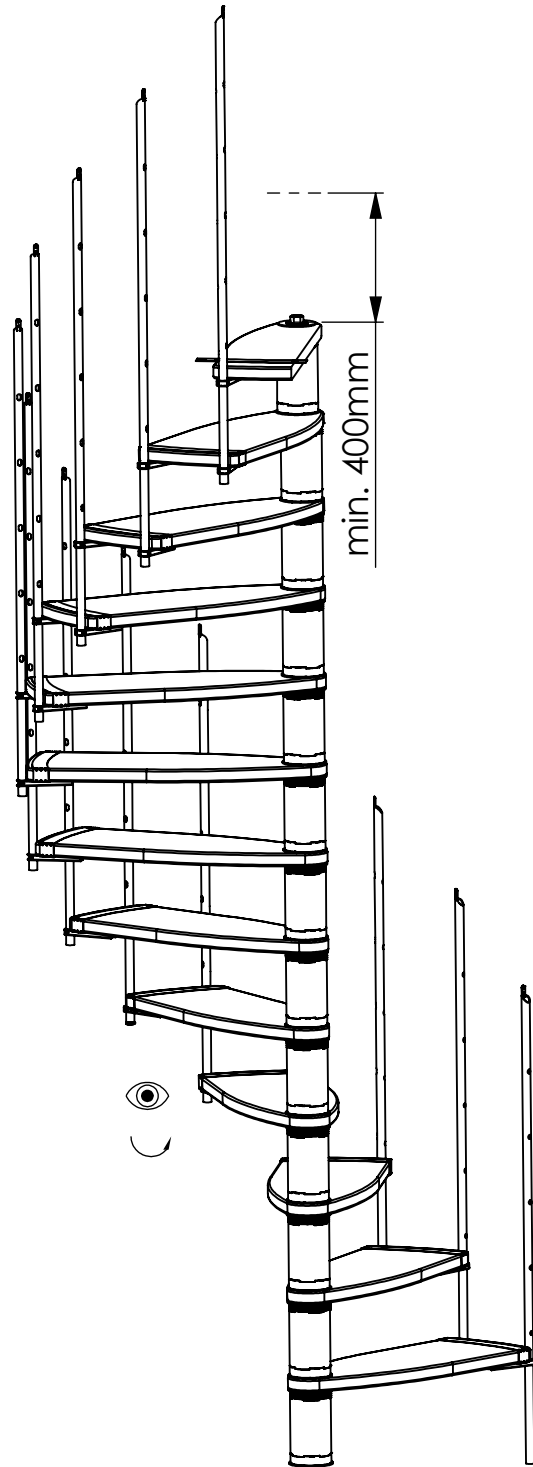
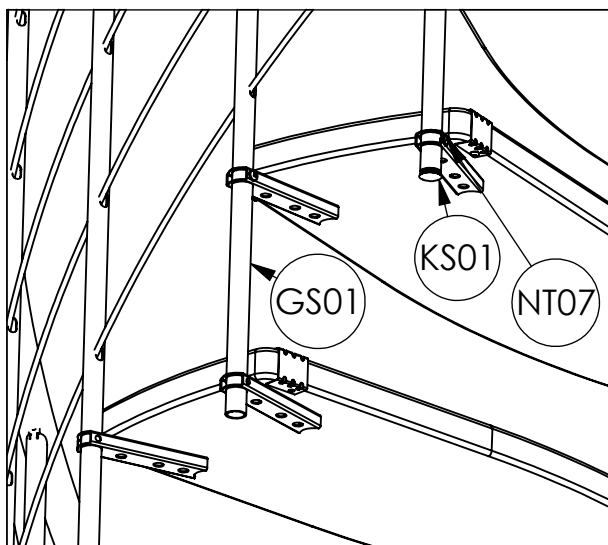
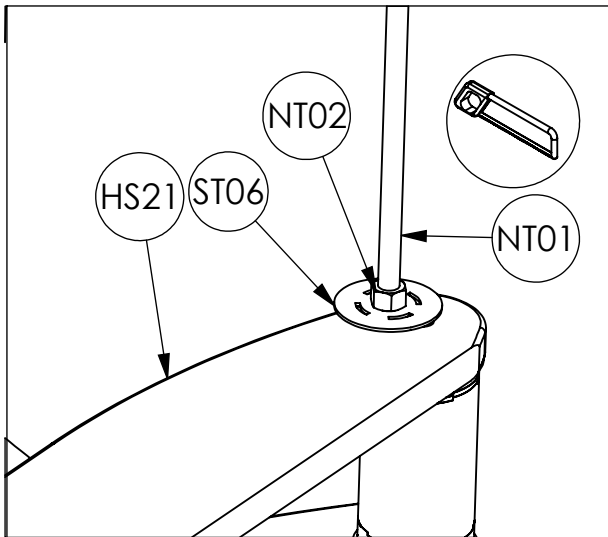
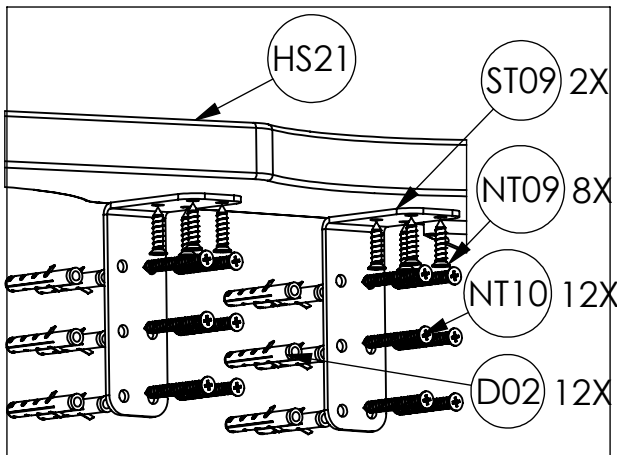


5



30 mm





6

