



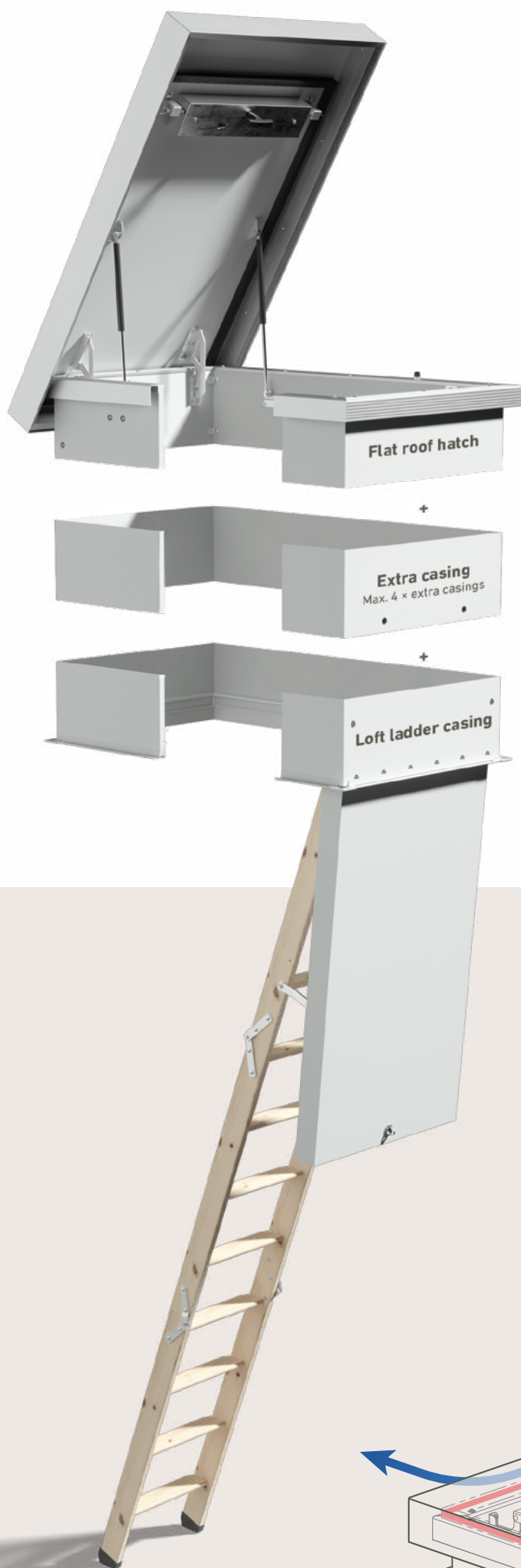
DOLLE[®]



**THE NEW
FLAT ROOF HATCH**

EASY ACCESS TO FLAT ROOFS

The new DOLLE Flat Roof Hatch offers the optimal way up. The roof hatch can be combined with DOLLE clickFIX® 76 loft ladders, DOLLE clickFIX thermo and fire-resistant loft ladders DOLLE REI 45. All you need is this roof hatch with the innovative clickFIX® loft ladder technology. Big advantage of the DOLLE Flat Roof exit lies in the modular construction with individual, lightweight components which makes the installation easy without a crane!



- > **Convenient ascent** via a loft ladder and additional steps in the casing.
- > **Integrated ventilation** prevents formation of condensation.
- > **Snow guard protection** prevents penetration of snow or dust, but let's air through.
- > **Easy opening and closing** with gas springs in the lid.
- > **No water accumulation** on the lid.

IT IS VERY SIMPLE!

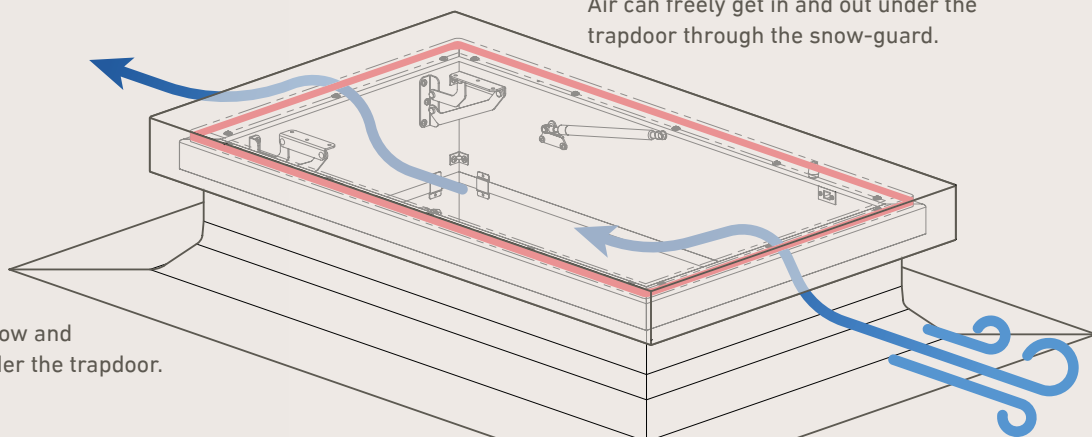
- > Make your measurement according to the scheme on the last page.
- > Pick a loft ladder.
 - DOLLE REI 45
 - DOLLE REI 45 Comfort
 - DOLLE clickFIX® 76 Comfort
 - DOLLE clickFIX® 76G
 - DOLLE clickFIX® Thermo
- > Complete flat roof exit with loft ladder, extra casing and flat roof hatch according to your measurements.

Snow-guard

The snow-guard prevents snow and leaves from coming up under the trapdoor.

Airflow

Air can freely get in and out under the trapdoor through the snow-guard.





Additional treads made of aluminium in the casing facilitate a comfortable access.



The snow guard list keeps snow and foliage outside and let air circulate in the hatch box.



Rubber buffer and aluminium profile protect the lid. The slight distance to the lid creates a gap for ventilation.

DIMENSIONS

Floor-to-ceiling-height (A)

Standard: 274.0 cm

Special measure: Max.

REI 45 336.0 cm

REI 45 Comfort 290.8 cm

clickFIX® 76 Comfort 284.6 cm

clickFIX® 76G 332.0 cm

(Casing length min. 140 cm)

Opening size - length (B)

Standard: 110 cm

120 cm

130 cm

140 cm

Made to measure: 110 - 160 cm

Opening size - width (C)

Standard: 60 cm

70 cm

Made to measure: 60 - 80 cm

Construction height (D)

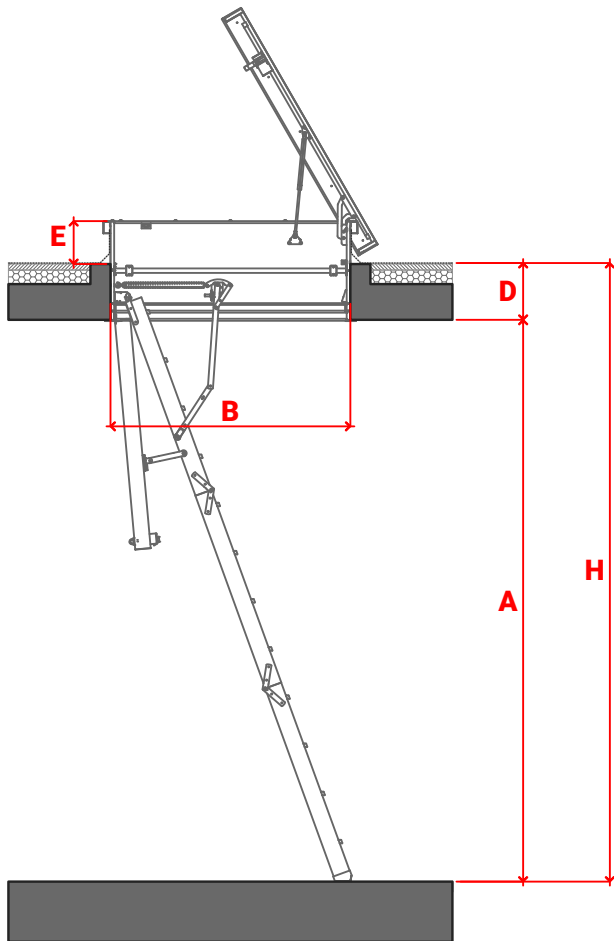
28.35 cm - 124.95 cm

Height above roof (E)

Min. 20 cm above roof

Total height (D + E)

48.35 - 144.95 cm



Τομή



Κάτοψη

FLAT ROOF HATCH MADE TO MEASURE

Χωρίς Ψευδοροφή

- A** Καθαρό ύψος (πάτωμα έως οροφή) _____ cm
- B** Μήκος κατασκευαστικού ανοίγματος _____ cm
- C** Πλάτος κατασκευαστικού ανοίγματος _____ cm
- D** Κατασκευαστικό πάχος (πλάκα + μόνωση) _____ cm
- H** Συνολικό ύψος πάτωμα έως πάτωμα _____ cm
- E** Προεξέχον ύψος από στάθμη ταράτσας _____ cm



Verified with overload for
150 kg load capacity



One man installation



Low weight

**DANISH
QUALITY**

Danish quality since 1951

Δ1 ΔΟΜΙΚΑ
ΠΑΣΙΣΗΣ



Palaiopanagia
Nafpaktos
TK: 30 300

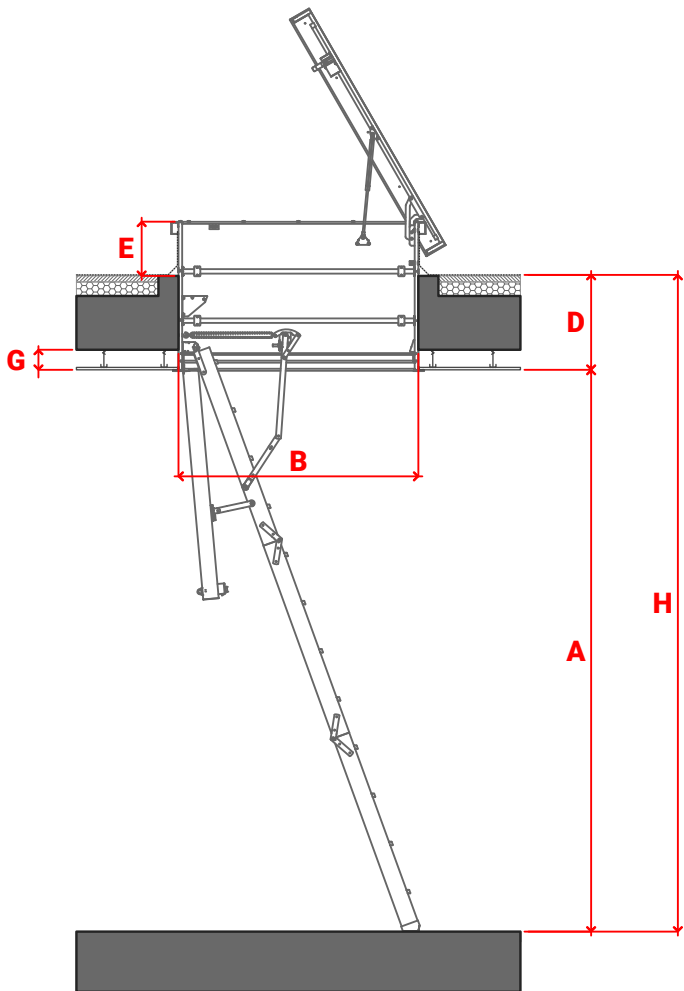


Email: info@pasisis.com



Tel: 2634022254
Viber: 6951976060

www.pasisis.com
est. 1950



Τομή



Κάτωψη

FLAT ROOF HATCH MADE TO MEASURE

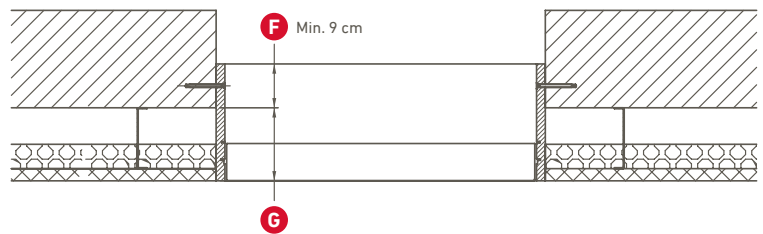
Με Ψευδοροφή

- A** Καθαρό ύψος (πάτωμα έως οροφή) _____ cm
- B** Μήκος κατασκευαστικού ανοίγματος _____ cm
- C** Πλάτος κατασκευαστικού ανοίγματος _____ cm
- D** Κατασκευαστικό πάχος (πλάκα + μόνωση + ψευδοροφή) _____ cm
- H** Συνολικό ύψος πάτωμα έως πάτωμα _____ cm
- E** Προεξέχον ύψος από στάθμη ταράτσας _____ cm
- G** Ύψος ψευδοροφής* _____ cm

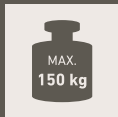
* αν το ύψος της ψευδοροφής ξεπερνά τα 15cm θα χρειαστεί κατασκευή φρεατίου περιμετρικά του ανοίγματος στο οποίο θα στηρίζεται η κάσα της σκάλας

Suspended ceiling

** By suspended ceiling the mounting space (F) must be minimum 9 cm.



Τομή



Verified with overload for
150 kg load capacity



One man installation



Low weight

**DANISH
QUALITY**

Danish quality since 1951

Δ1 ΔΟΜΙΚΑ
ΠΑΣΙΣΗΣ



Palaiopanagia
Nafpaktos
TK: 30 300



Email: info@pasisis.com



Tel: 2634022254
Viber: 6951976060

www.pasisis.com
est. 1950